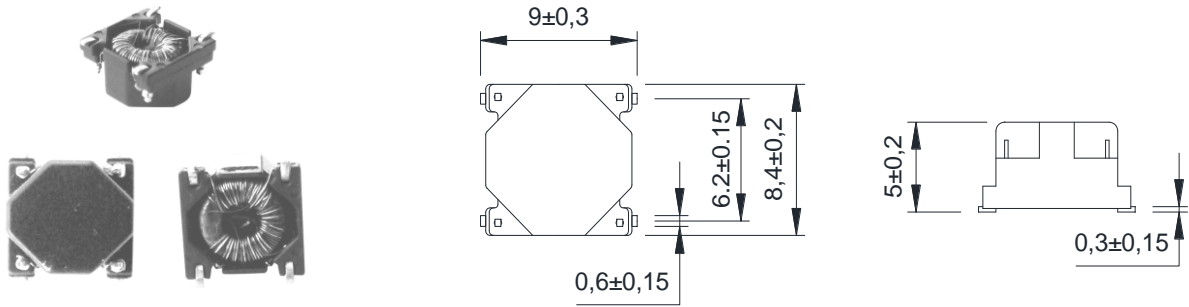


Common Mode Choke - YT008T Series

EXTERNAL DIMENSIONS

(Unit: mm)



Part Number	Inductance L(mH)±30%	Test Frequency (KHz)	Withstanding Voltage	DC Resistance (Ω)±30%	Rated Current (A) Max.	Rated Voltage
YT008T-472NS	4.7	100	AC600V	1.0	0.3	80V

Test Equipment and Conditions

- Impedance measured using HP-4291B impedance analyzer with HP-16092 test fixture.
- DC Resistance with CH-16502A meter.
- OCL with HP-4284A.
- Withstanding Voltage with CH-19073.
- Operating temperature : -25°C~ +85°C.

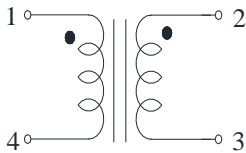
Features

- YT008T series provide effective noise rejection characteristics without distorting the transmission signal. Therefore this product is most suitable for an application of a xDSL interface circuit.
- The products contain no lead and also support lead-free soldering.

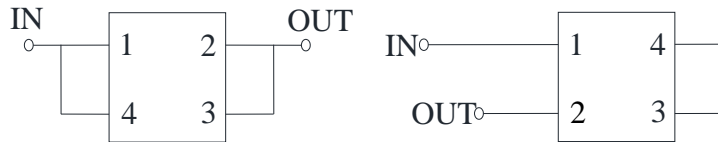
Applications

- xDSL , modem , Pots-splitters for DSLAM.

Schematic

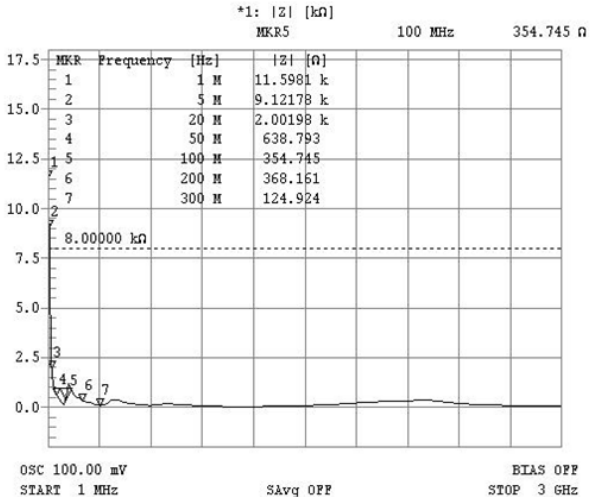


Test Mode:

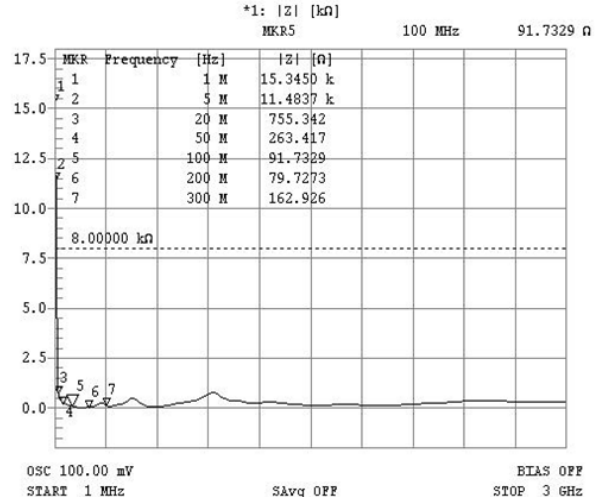


Impedance vs. Frequency

COMMON MODE



DIFFERENTIAL MODE



SMT